

Module PMRF-ISSS075/II/2024

Design and Simulation of RF Circuits

Name of the PMRF student

Saurav Roy
IISc Bengaluru

Required background of the students taught

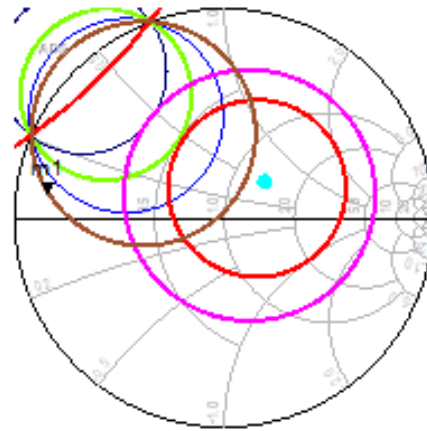
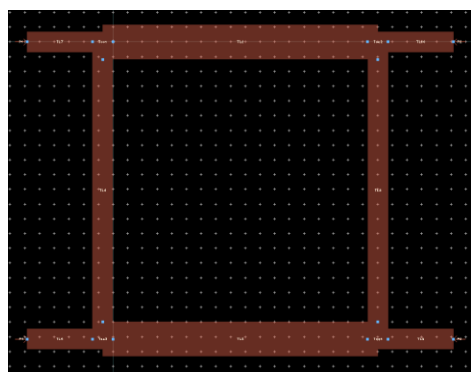
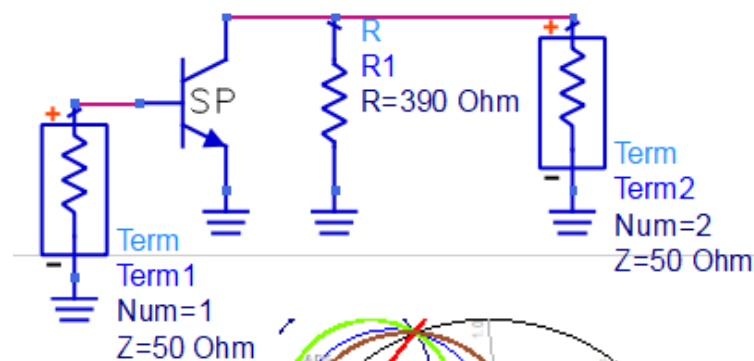
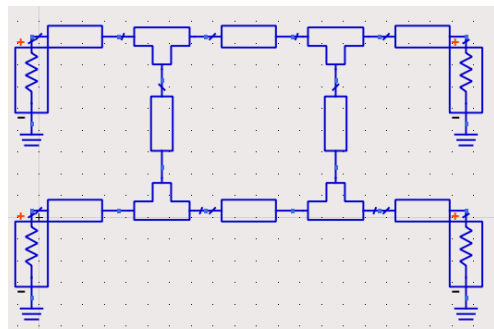
- Basic Electromagnetics
- Student license or trial license of ADS or AWR or similar software

Online session coordinator

Will be chosen from the list of registrants

Details of the content of the module

- Fundamentals of RF circuits
- Basics of Keysight ADS
- Power coupler and divider: theory and design
- RF filter: theory and design
- CRLH unit cell: theory and design
- Energy harvesting circuit: theory and design
- Amplifier: theory and design



Schedule of the module

Saturday, 05:30 PM – 07:30 PM

Sunday, 05:30 PM – 07:30 PM

Tutorial: Saturday, Sunday, 10:30 AM – 12:30 PM

Duration: 6-8 Weeks

Start date: 25.05.2024

Meeting link : MS Teams link will be shared later

Contact email ID: issf.forum@gmail.com

Registration link:
<https://forms.office.com/r/amibpkh5Wt>